



CEN TEK
MARINE

DELTA-T SYSTEMS BROCHURE

DELTA-T SYSTEMS

4" DC Centrifugal *Blowers*



Delta-T Systems

4" DC Centrifugal *Blowers*

The powerful 4-inch ignition protected DC blower is ideally suited for small vessel engine rooms and OEM applications. It has been designed and manufactured specifically for marine use. Excellent for today's high horsepower gas and diesel vessels, the 4" Blower provides extreme air volumes even at very high static pressures.

The is available in both 12 and 24 VDC versions and is specifically designed and built for the rigors of the marine environment, not adapted from other industries. The internally housed motor gives the 4" Blower an ultra-slim profile, which is ideal for use in confined spaces. With a housing of marine grade plastic, this unit provides a nearly indestructible, compact blower with superior corrosion resistance. Extended wiring leads from the motor to a female plug which provide for simple quick installation.

A specially-marinated sealed DC direct drive motor provides quiet reliable service. The motor is a totally enclosed (TEAO) double-shielded ball bearing type, which is constructed with die cast aluminum end plates, O-ring seals, stainless steel shaft and tough black Teflon epoxy coating for superior corrosion resistance. Armatures are dynamically balanced for quiet, vibration free operation. A standard Universal Mounting Bracket is included to allow for a wide variety of installation options.

- Continuous Duty Ultra-High Air Flows to 350 CFM (Free Air)
- Exceeds Any Competition by at least 100 CFM

- 12 Volt DC — Part No. 500-304121IP
- 24 Volt DC — Part No. 500-304242IP



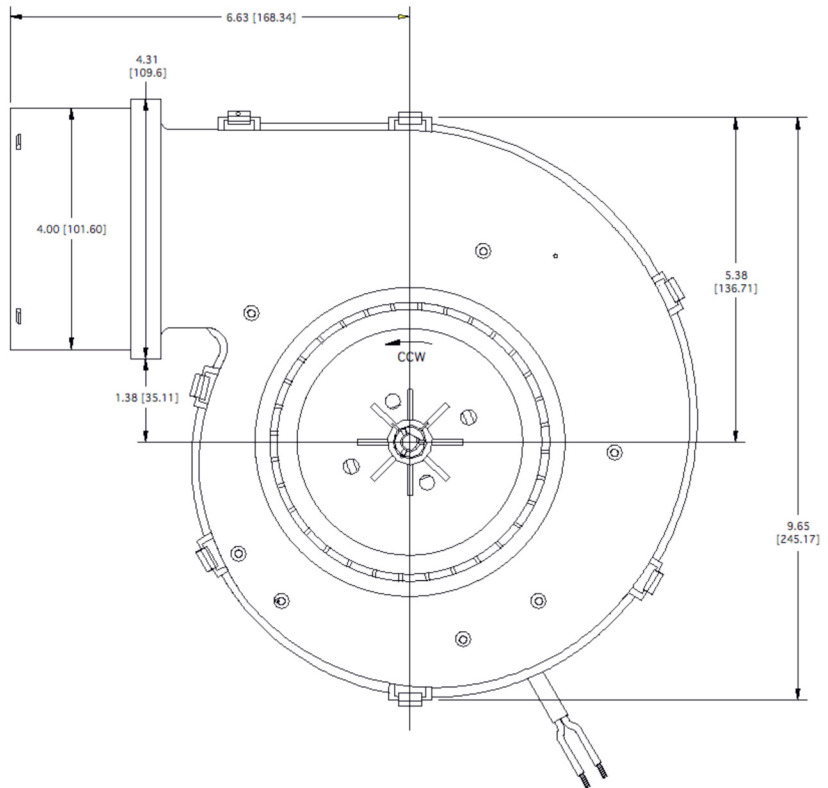
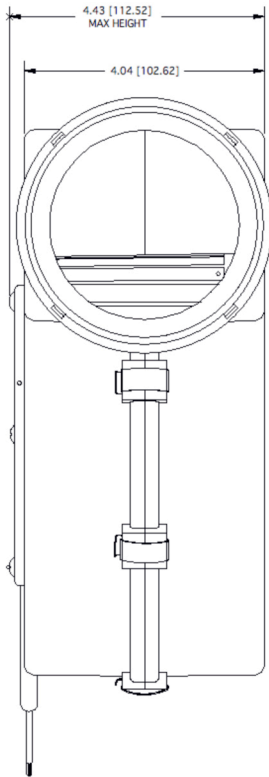
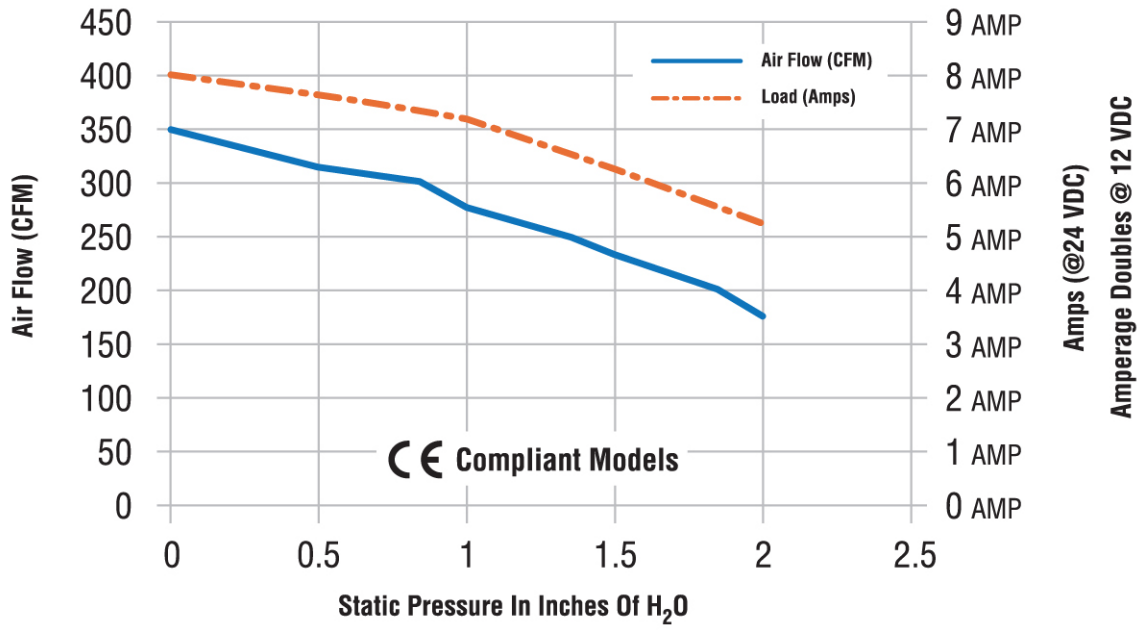
Optional Hose Adapter for Intake Side of Blower

- 4 Inch Hose Adapter — Part No. 505-201251

Delta-T Systems

4" DC Centrifugal *Blowers*

Performance:





Stay Up To Date With All The *Latest Resources.*

www.centekmarine.com