



CEN TEK  
MARINE

INSTALLATION & OPERATION MANUAL

DELTA-T SYSTEMS

---

## 11" Ignition Protected DC *Axial Fan*



# Delta-T Systems

## 11" DC Axial Fans



CE Compliant Ignition Proof With Higher Flows To 1424 CFM [40.3 M<sup>3</sup>/Min]

**Features** - CE Labeled with integrated safety guard and reversible hub/blade assembly. Ignition proof construction, conforms to J1171, ISO 8846 and ISO 9097.

**Application** - Ideally suited for small vessel engine rooms and OEM applications where compact high flow ventilation systems are required. Excellent for today's high horsepower vessels, the 11-inch Axial Fan provides nearly 9 times the air volume of small DC centrifugal marine blowers with low electrical load requirements.

**Design & Construction** - The 11-inch Axial Ventilation Fan is specifically designed and built for the rigors of the marine environment – not adapted from other industries. With a flanged shroud made of glass filled nylon, this unit provides a nearly indestructible, compact fan with superior corrosion resistance. Extended wiring leads from the motor for simple quick electrical connections. By simply changing motor polarity, removing the hub/shaft clip and reversing the hub allows this fan to be used for "pusher" or "puller" applications.

**Motor** - A specially marinized sealed DC direct drive motor provides quiet reliable service. Motors are totally enclosed (TEAO) double-shielded ball bearing type. Constructed with die cast aluminum end plates, O-ring seals, stainless steel shaft and tough black Teflon epoxy coating for superior corrosion resistance. Armatures are dynamically balanced for quiet, vibration free operation.

**Fan Hubs & Blades** - A 5-blade glass filled nylon hub with a pilot is secured directly to the motor shaft.

**Finish** - Black glass filled nylon with black Teflon epoxy coating.

**Delivery** - Normally in stock at our facility.

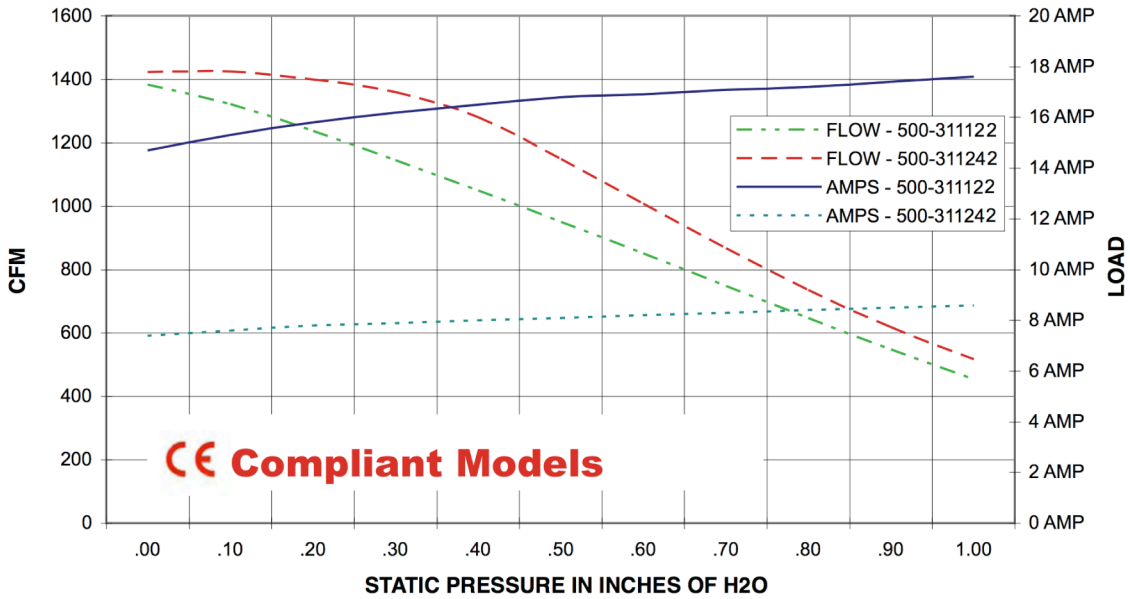
12 Volt DC - Order Part No. 500-311122IP

24 Volt DC - Order Part No. 500-311242IP

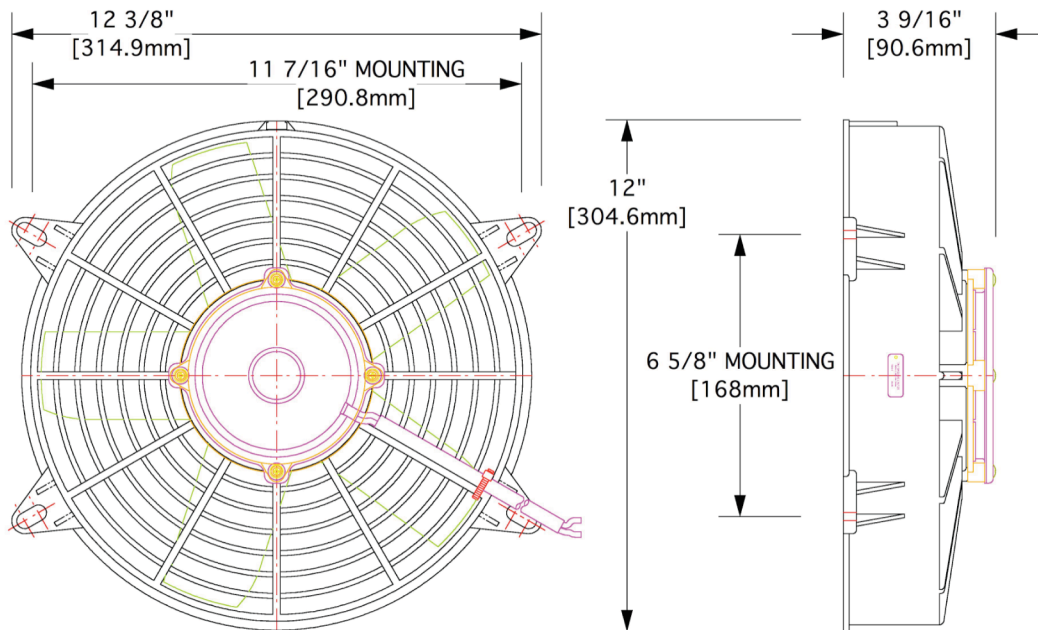
# Delta-T Systems

## 11" DC Axial Fan

### PERFORMANCE



### DIMENSIONS



(WEIGHT: 5 lbs.)

### WIRING

RED = + (Positive VDC)  
 BLACK = - (Negative VDC)



Stay Up To Date With All The *Latest Resources.*

---

[www.centekmarine.com/resources](http://www.centekmarine.com/resources)